

BBS-1070

19" 1U Height Half-size Bare Bone System with ATX Motherboard & 65W Power Supply



Introduction

A modified version of the BBS-1052, the BBS-1070 is offers an enhanced feature for existing ATX mini server platforms. This 1U height bare bone system includes a 65W power supply unit while dissipating internal heat via two 4cm cooling fans.

Features

- ✓ Slimmest 19" 1U height half-size system design
- ✓ Built-in Industrial ATX Motherboard
- ✓ Built-in Coppermine 1GHz CPU, 128MB SDRAM, 65W power supply
- ✓ Built-in VIA VT8601 CRT display controller
- ✓ Built-in AC97 3D audio controller
- ✓ One COM port, one parallel, one joystick, two USB connectors
- ✓ Three PCI expansion slots
- ✓ One 3.5" HDD space
- ✓ Two 4cm cooling fans
- ✓ External three 10/100 Based LAN controller (optional)

Specifications

- * **System Board:** Industrial ATX Motherboard
- * **CPU:** Intel Coppermine 1GHz CPU
- * **Memory:** Two DIMM sockets supporting up to 1GB
- * **Chipset:** VIA VT8601/82C686B
- * **PCI Slot:** Three PCI expansion slots
- * **VGA:** VIA VT8601 integrated Trident Blade 3D supporting AGP Bus
- * **LAN:** External three 10/100 Based LAN (optional)
- * **Audio:** AC97 3D audio controller
- * **HDD/FDD/CD-ROM:** 3.5" HDD space x 1
- * **Serial Port:** One RS-232
- * **Parallel:** One enhanced bi-directional parallel port support SPP/ECP/EPP
- * **USB:** Two USB connectors
- * **Keyboard:** PS/2 6-pin Mini DIN
- * **Mouse:** PS/2 6-pin Mini DIN
- * **BIOS:** Award PnP Flash BIOS
- * **Fan:** Two 4cm cooling fans
- * **Power Supply:** 65W power supply
- * **Operating Temperature:** 0~55°C
- * **Storage Temperature:** -20~+70°C
- * **Dimensions:** 42.7 x 4.4 x 22.0 cm

Ordering Guide

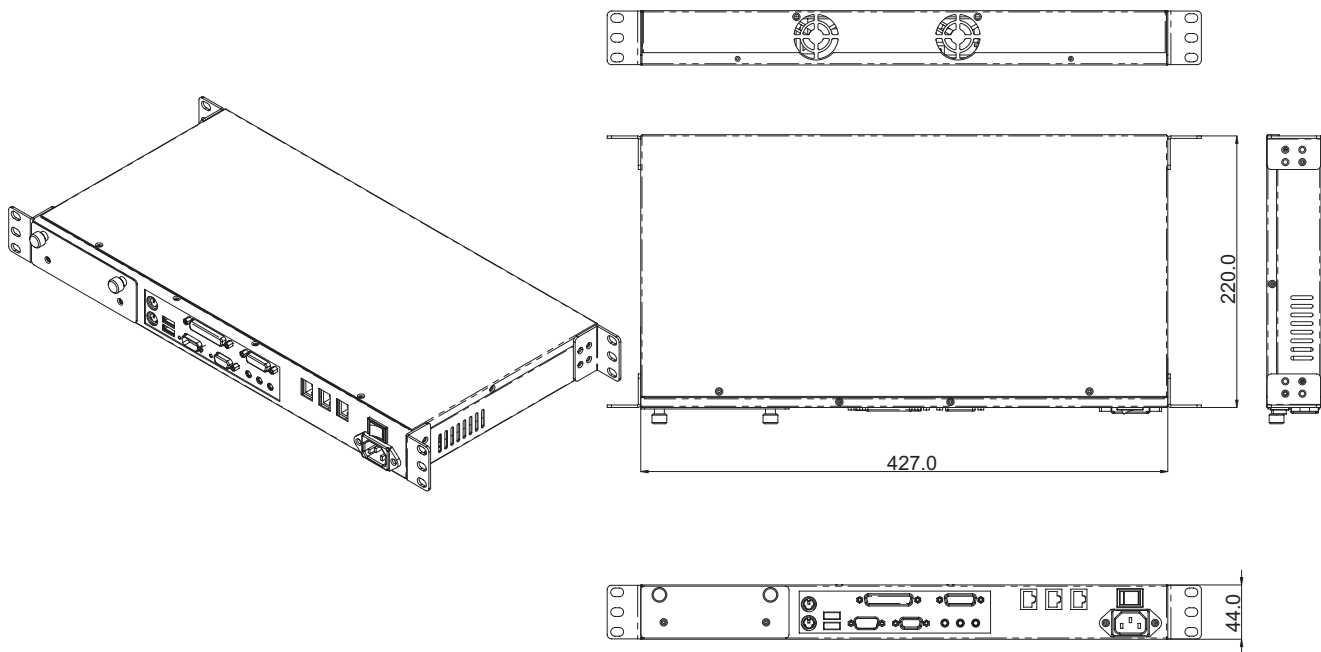
◎ BBS-1070

Standard:

- 19" 1U Height Half-size Chassis
- Industrial ATX Motherboard
- Coppermine 1GHz CPU
- 128MB SDRAM
- 65W Power Supply

Optional:

- 3.5" HDD



Dimensions

Specifications are subject to change without notice.

The Industrial PC Authority



BOSER Technology Co., Ltd.

15F-6, No. 77, Hsin Tai Wu Road, Sec. 1, Hsichih, Taipei Hsien 221 Taiwan TEL : 886-2-26983333 FAX : 886-2-26983300
<http://www.boser.com.tw> <http://www.isb.com.tw> E-Mail: webmaster@boser.com.tw

| | | | | |
|--|--|--|---|--|
| U.S.A. TEL : +1 650 4280868 FAX : +1 650 4281172 | U.K. TEL : +44 1543 466552 FAX : +44 1543 466553 | JAPAN TEL : +813 34248120 FAX : +813 34180521 | FRANCE TEL : +33 1 69061790 FAX : +33 1 69433732 | SHANGHAI TEL : 021 62789292 FAX : 021 62789393 |
| GERMANY TEL : +49 221 954790 FAX : +49 221 9547988 | KOREA TEL : +82 2 34737862 FAX : +82 2 34743120 | ISRAEL TEL : +972 3 9203456 FAX : +972 3 9203535 | FINLAND TEL : +358 2 6203753 FAX : +358 2 6203770 | BEIJING TEL : 010 82660235 FAX : 010 82660241 |